

**Engineering Drawing (Rev-2012 and Rev-2016) Backlog Examination**  
**Sample Question Paper pattern for the Backlog examination**

Total marks- 30

Time: 1hr 30 minutes.

**Q1 Attempt any one**

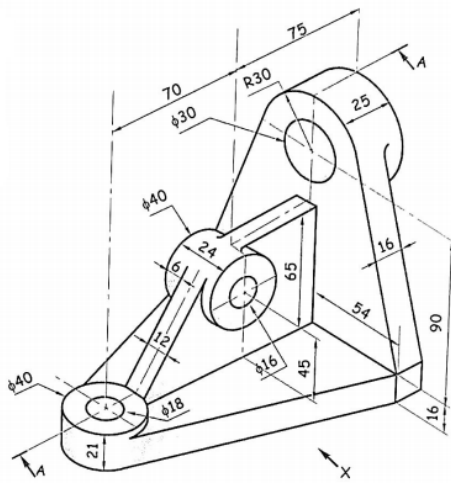
**5M**

- Draw locus of a point on the periphery of a circle cycloid which rolls on straight line path. Take Circle diameter as 50 mm and initial position of POINT to be on ground.
- Line AB is 70 mm long and it is  $30^\circ$  &  $40^\circ$  Inclined to HP & VP respectively. End A is 12mm above HP and 10 mm in front of VP. Draw projections. Line is in 1<sup>st</sup> quadrant.

**Q2 Attempt any one**

**15M**

- Fig shows the pictorial view of a machine part. Draw with **HALF SCALE**  
 i) Sec FV along A-A ii) Top View iii) Left Hand Side View . Show ten major dimensions.

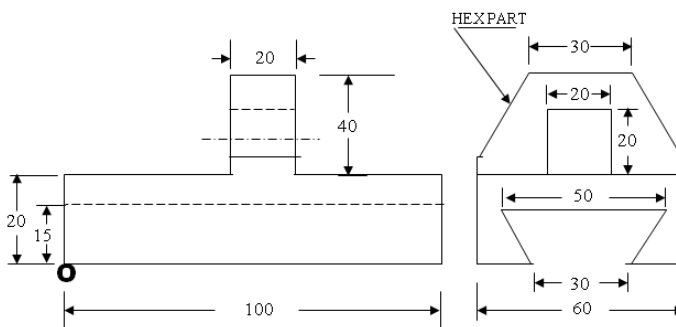


- A square pyramid of 40 mm edge of base and 60 mm length of axis is resting in the HP on one of its base edges. The axis makes an angle  $30^\circ$  with the HP. Draw its projections if the top view of the axis is inclined at an angle  $45^\circ$  to VP.

**Q3 Attempt any one**

**10M**

- A Hexagonal Prism having a base with a 30 mm side and 70 mm long axis, has an edge its base on the HP. Its axis is Parallel to the VP and inclined at  $45^\circ$  to the HP Draw its projections.
- Two views are shown, Draw Isometric view.



**Note:**

10 to 15 minutes for uploading the readable scanned copy of answer paper.